



Double Water Curtain Model 1800-95*

Specifications

Model: 1800-95

Options: 1800-bent: Bent pipe; *(shown)*

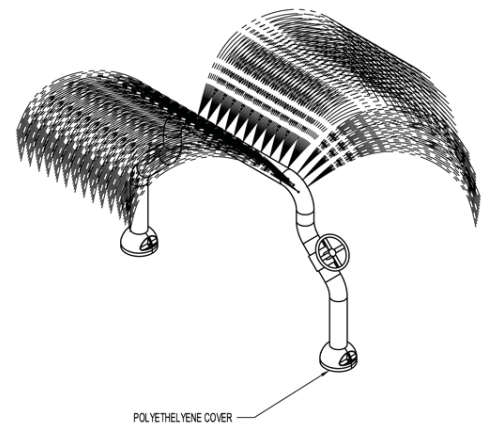
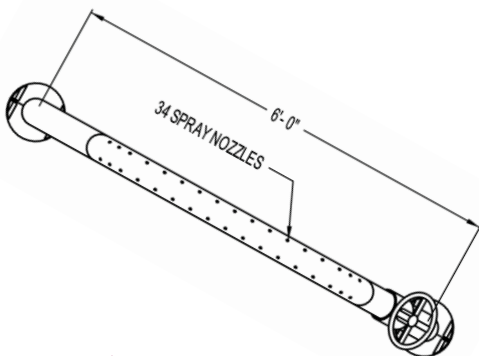
1800-wheel: Interactive water flow wheel *(shown)*

Dimensions: 4' 2-1/4" high x 6' 4-1/2" wide

Space Requirements: 3' 11" x 0' 9"

Features

- 4 1/2" OD stainless pipe
- Stainless steel base plates & anchor system
- Polyester powder coat finish
- Polyethylene base plate cover
- Water volume: 25-42 gpm



PO Box 270, Baker City, OR 97814 (541) 523-0224 (800) 252-8475 www.naturalstructures.com - info@naturalstructures.com

*Shown with Bent Pipe and Interactive Water Flow Wheel options