



Stainless Steel Architectural Slide Model SS-A1034

Specifications

Description: Custom all stainless steel slide spiraling off upper floor to lower floor.

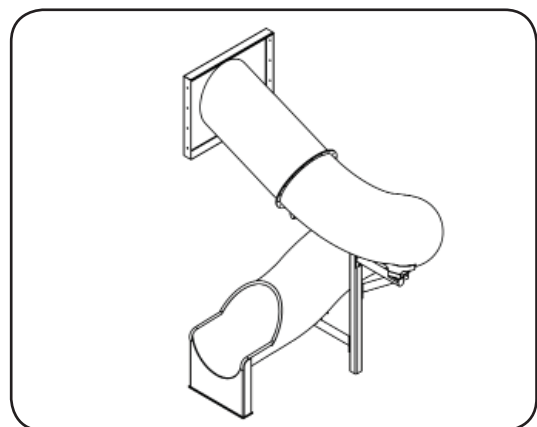
Centerline Run: 21' 1"

Entry Height: 9' 10-1/8"

Entry: Start panel with grab bar

Features

- 30" inside diameter closed flume
- Entrance: Start panel with grab bar
- Exit: 1' 3" drop exit floor mount
- Stainless: Minimum 12 gauge stainless
- Steel: All components TIG welded
- Interior: Polished finish, all welds ground smooth
- Exterior: Brush finish
- USA Made



PO Box 270 • Baker City OR 97814 • 800-252-8475 • www.naturalstructures.com • Email: info@naturalstructures.com